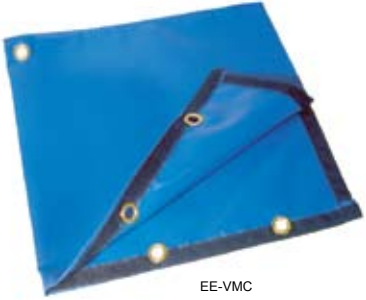
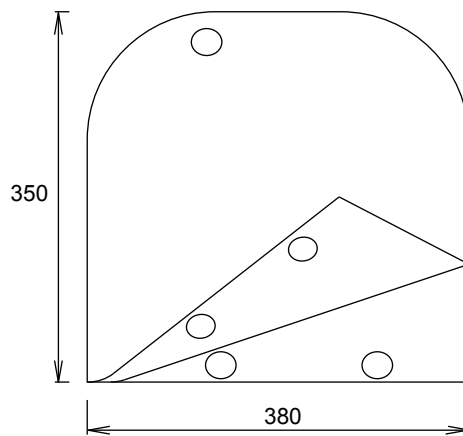


EE-VMC

<p>Weatherproof cover to protect valve motors against weather conditions.</p>		
-------------------------------------------------------------------------------	------------------------------------------------------------------------------------	--

Type	Size	Material
EE-VMC	WEATHERPROOF VALVE MOTOR COVER: 430mm x 410mm	PVC Nylon

DIMENSIONS:



INSTALLATION:

Fit the cover over the valve motor. Care must be taken to ensure that the cover is adequately sealed to protect from weather conditions. Due to the nature of the fitting and to allow for electrical cables the bottom part of the cover cannot be fully sealed. Therefore the best protection will be provided with the cover opening facing downwards. Use cable ties and sealing tape if necessary.



EE-VMC on damper motor