

**SPRING RETURN DAMPER / VALVE MOTORS
ON-OFF / 0-10VDC**

ER16..

These units can be used to control air dampers on applications where safety control is required ie frost protection, smoke detection etc. The motor can be mounted directly to damper shafts or remotely using linkage accessories. They are also suitable for use on control valves. When power is on, the motor drives in one direction or modulates if ER16..M. If the power is cut the motor springs back to the safe position.



The motor stops automatically when end positions are reached.
Up to 10 motors can be wired in parallel.
Adjustable angle of rotation limiter 0-30° at both ends.
Direction of rotation clockwise or anti-clockwise.
Noise level 45dB Max angle of rotation 93°
Manual Override Max Ambient -20/+50°C
Enclosure Flammability = UL94-V0

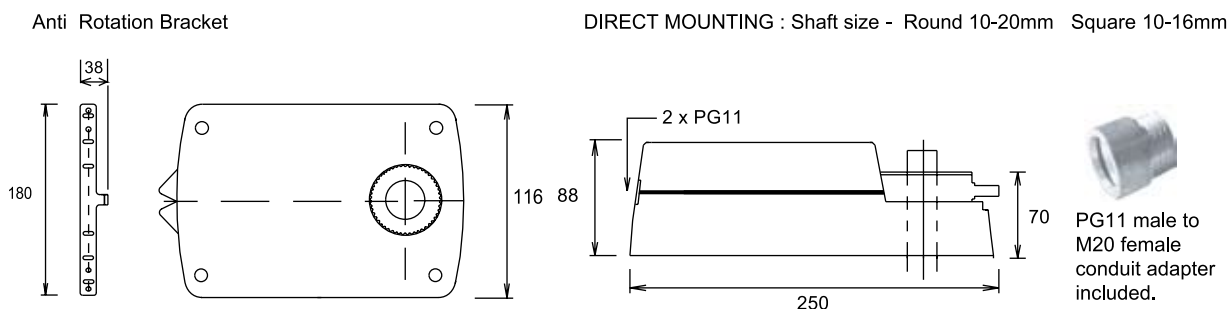
Type	Supply 50/60Hz	Operation	Aux Switch 230VAC SPDT	Motor Open	Spring Close	Torque	Damper Area Approx	*Enclosure	£
ER16-24-2	24VAC/DC	2 wire open/close	-	90s	10s	16Nm	4m ²	IP44	
ER16-24-2S	24VAC/DC	2 wire open/close	2 x 3(1.5)A	90s	10s	16Nm	4m ²	IP44	
ER16-230-2	230VAC	2 wire open/close	-	90s	10s	16Nm	4m ²	IP44	
ER16-230-2S	230VAC	2 wire open/close	2 x 3(1.5)A	90s	10s	16Nm	4m ²	IP44	
ER16-24M	24VAC/DC	0-10vdc//0-20mA Zero/Span Adj	-	90s	10s	16Nm	4m ²	IP44	
ER16-24MS	24VAC/DC	0-10vdc//0-20mA Zero/Span Adj	2 x 3(1.5)A	90s	10s	16Nm	4m ²	IP44	

Supply : 24VAC ±20% 24VDC ±10% 230VAC ±10% Approx 60,000 operations Run times stated are approximate.
Consumption: 24V On -Off 10VA 24V Mod 12VA 230V 10VA

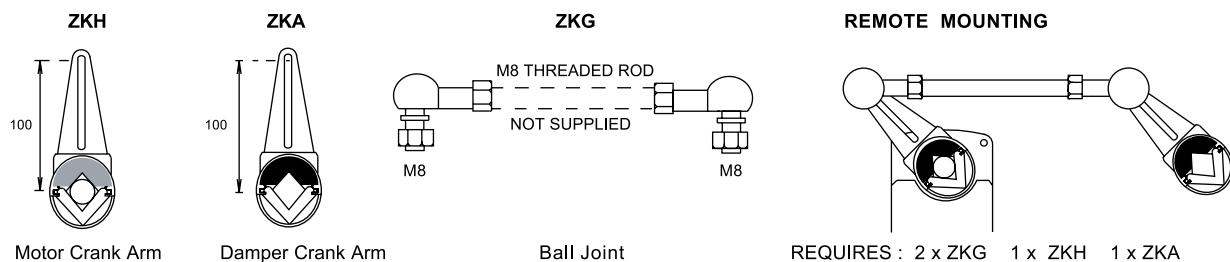
ER16-24M.. Input signal zero and span adj. Full control signal and run time is achieved even with reduced angle of rotation down to 30°

***FOR WEATHERPROOF ENCLOSURES SEE SEPARATE DATA SHEET.**

DIMENSIONS:



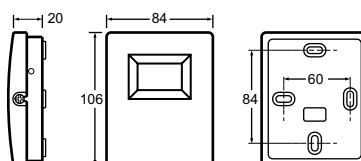
ACCESSORIES:



PAF Digital Positioner 0-100% Wall Mounting



Dimensions (mm)



Output 0-10vdc 0r 2-10vdc selectable

For Wiring Diagram see next Page