

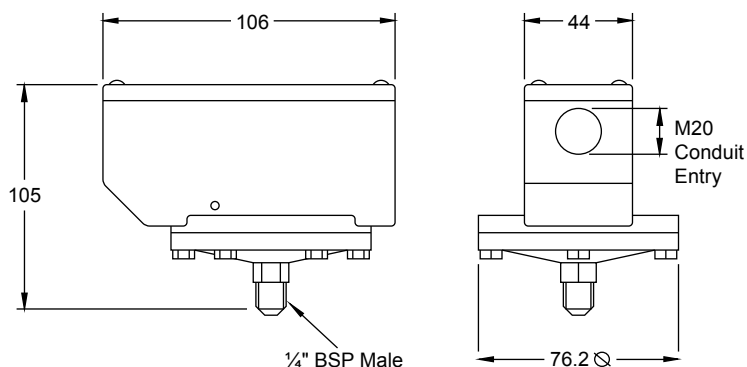
**PRESSURE SWITCHES  
GAS - AIR - LIQUID**

**EPG..**

<p>■ Suitable to monitor the pressure of water, gas, air or oil and switch in the event of high or low pressure conditions. Two switches must be used if both high and low pressures are to be monitored.</p>	 <p>EPG..</p>	<p>Volt free contacts A filter fitted before the switch is highly recommended. Adjustment under the cover The pressure line can be formed into a U shape/syphon for media temperatures up to 300°C. Not suitable for dirty, heavy or aggressive fluids. Ambient -20/+85 °C                      mbar x 100 = Pa Enclosure: Zinc diecast with glass filled nylon lid All settings/differentials are approximately +/-2% due to mechanical tolerances.</p>
---	--	--

Type	Range mbar	Diff mbar	Max Press mbar	230VAC SPDT	Media Contact Materials	Max Media Temp °C	Pressure Connections	Enclosure
<b>EPG-125</b>	5/125	2.5	500	5(2)A	Brass Beryllium Copper Nitrile Rubber	85	¼" BSP Male	IP65
<b>EPG-250</b>	15/250	4	500	5(2)A	Brass Beryllium Copper Nitrile Rubber	85	¼" BSP Male	IP65

**DIMENSIONS:**



**WIRING:**

