

CURRENT SWITCHES FIXED SWITCH POINT

ESOL.. ESLT..

These units are powered by induction from the monitored AC conductor which passes through the hole/core. They sense current flow and can monitor the operation/failure of fans, pumps, motors etc. Simply connect 2 wires to indicate run /fail - the normally open switch contacts close when the setpoint is exceeded. The GNG models incorporate dry contacts for true digital switching.



Hysteresis: <2% Full Scale max
Enclosure Flammability: UL94-V0
Input Frequency Range: 10 - 400 Hz
Operating Temperature: 0 to 70 C
Response Time: <200mS

Type	Description	Switch Rating Max	On State Volt Drop @ 24vdc @150mA	Leakage Current	Set Point	Conductor Current Input Range
ESOL-GNG	Solid Core	30VAC/40VDC 0.5A	<0.1V	<25µA	1A Fixed	0.5 - 200A Auto ranging
ESLT-GNG	Split Core	30VAC/40VDC 0.5A	<0.1V	<25µA	2.5A Fixed	1.5 - 200A Auto ranging

On State Volt Drop - amount of voltage which drops through the switch contacts when they are closed.

Leakage Current - amount of current leaked across the switch contacts when they are open.

Both factors are very small and generally insignificant for most applications.

If the conductor current is too low ie 0.5A, it can be looped through the current switch more than once ie 3 loops = 1.5A, this also divides the maximum range by 3.

If the conductor wire is too large, or the current too high it can be wired to the primary side of a current transformer, the secondary side then passes through the current switch hole/core.

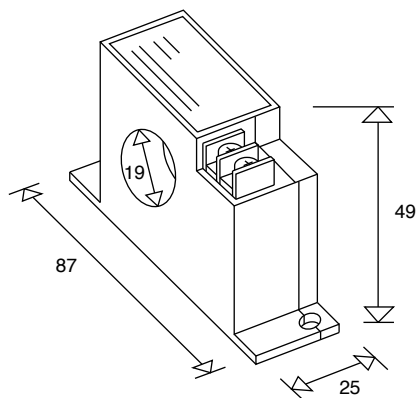
Easy to use switches, for flow/no flow applications with dry contacts for true digital switching.

Do NOT exceed the voltage or current ratings as this will cause damage to the device.

Normally Open switch contacts close when the current flow exceeds the set point.

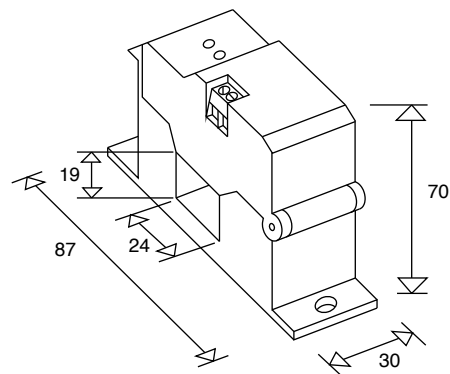
DIMENSIONS:

ESOL-GNG



NON POLARISED
1.0A FIXED SET POINT
Mounting holes: 2 x 5 dia on 76 centres

ESLT-GNG



NON POLARISED
2.5A FIXED SET POINT
Mounting holes: 2 x 5 dia on 76 centres

INSTALLATION:

Ensure core is clean at time of installation as dirt/foreign particles may prevent correct operation.

The split core device can be opened by using a large blade screwdriver positioned in the centre of the latch.

When closing the split core ensure that the two halves are properly aligned. Pass the live conductor/wire through the core.

The solid state switch contacts can only be checked for operation when the switch circuit power is applied.

Under current indication : Belt, fan or pump failure : For normal running the current should be above the set point & the switch contact closed. If the belt is broken, fan or pump stopped or the electrical supply fails the switch contact will open.

Over current indication : Locked rotor. For normal running the current should be below the setpoint and the switch contact should be open. When current exceeds the set point the switch contact closes providing indication of current flows above the normal full load amps.