

E3..

These products detect the presence of the relevant gas and give a 4-20mA output signal linear across the selected range.

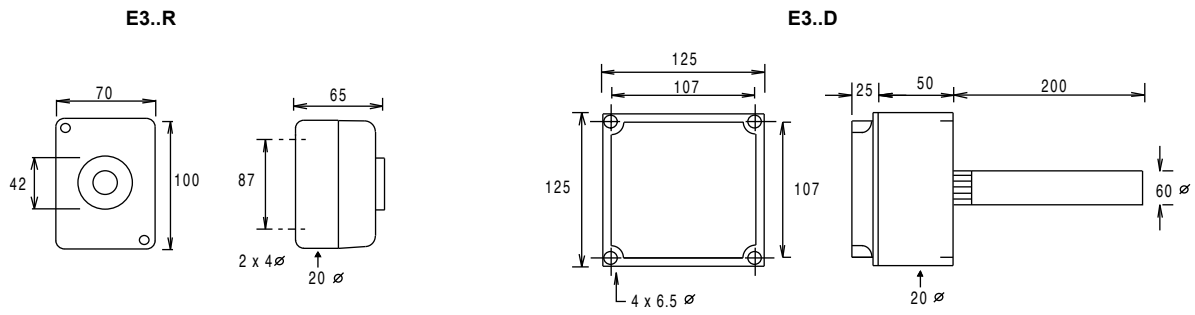


E3..R E3..D

Suitable for monitoring & ventilation applications.
DO NOT use on safety or hazardous applications.
A filter for minor dirt/dust protection is fitted.
DO NOT EXPOSE TO EXTREME AMBIENT/MEDIA OR OILY/DIRTY CONDITIONS.
A calibration check after 3 years operation may be required - a yearly calibration check is recommended.
Typical Accuracy <5%
Ambient - 20/+50 C 15-90% RH non-condensing
Sensor: Electrochemical - higher performance than semi-conductor types.
Consumption 25mA Enclosure flammability = UL94-V0

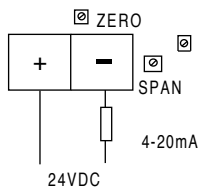
Type	Gas Detected	Mounting	Range	Approx Response Time	Supply ±20%	Output	Vap. Density Air = 1	Max Resistance Ω	Enclosure	
E3-025R	Oxygen	O ₂	Wall	0-25%	≤15s	24VDC	4-20mA loop	1.11	450	IP65
E3-CM100R	Carbon Monoxide	CO	Wall	0-100ppm	≤30s	24VDC	4-20mA loop	0.97	450	IP65
E3-CM200R	Carbon Monoxide	CO	Wall	0-200ppm	≤30s	24VDC	4-20mA loop	0.97	450	IP65
E3-CM300R	Carbon Monoxide	CO	Wall	0-300ppm	≤30s	24VDC	4-20mA loop	0.97	450	IP65
E3-CM300D	Carbon Monoxide	CO	Duct	0-300ppm	≤30s	24VDC	4-20mA loop	0.97	450	IP65
E3-CM500R	Carbon Monoxide	CO	Wall	0-500ppm	≤30s	24VDC	4-20mA loop	0.97	450	IP65

DIMENSIONS:



WIRING:

Screw Terminals provided.



Do not solder wires to the pcb as this can cause leakage of the electrolyte.

TOXIC LEVEL GUIDE:	Long term 8 hours	Short term 15 mins	Instantaneous	Standard Range	Mounting Height
CO	50ppm	300ppm	400ppm	0-300ppm	1.6 - 2m
O ₂	Deficiency 19%		Normal 21%	Enrichment 23%	

INSTALLATION:

Mount in an area where good representative monitoring can be achieved. All sensors should be installed according to local regulations. Avoid areas of poor circulation. **E3..D** duct units - install in a straight duct run - avoid high pressure and turbulent areas. All sensors must be mounted according to gas density relative to air ie. check the weight of the gas.
 Terminals 0.5-2.5mm Min cable size 7/0.2mm Max length 300m Screened cable is recommended.
 The screen should be earthed at controller end only. Keep away from power cables or units which may cause interference.