

EGS-...

■ This range of gas detectors can be used to detect leaks and provide an alarm in general commercial and industrial applications.

Can be used stand alone, with a BMS system or with a monitor panel.



Do not expose to extreme ambient or oily/dirty conditions.

24VAC supply, green power led.

Red led and sounder alarm

Alarm relay rating 1A-Factory set threshold.

Analogue output 0 to 10VDC or 4-20mA

Dimensions 86x120x53 180gm

Dimensions 86x120x53 180gm

GAS SENSOR (SPECIFY GAS)

Type	Gas	Range	Relay set point
EGS-NG	Nat Gas (methane)	0 to 5,000ppm	2500ppm
EGS-LPG	LP Gas	0 to 2,000ppm	1000ppm
EGS-CO	Carbon monoxide	0 to 100ppm	30ppm
EGS-R134	Refrig R134	0 to 1000ppm	500ppm
EGS-H	Hydrogen	0 to 2,000ppm	1000ppm
EGS-CO2	Carbon dioxide	0 to 10,000ppm	5000ppm
ECS-OZ	Ozone	0-1ppm	0.2ppm
EGS-O	Oxygen	0 to 25%	19%.
EGS-H2S	Hydrogen sulphide	0 to 30ppm	5ppm
EGS-SD	Sulphur dioxide	0 to 10ppm	2ppm
EGS-ND	Nitrogen dioxide	0 to 10ppm	3ppm
EGS-CL	Chlorine	0 to 10ppm	0.5ppm

Other gases-please enquire

Default setpoints are in accordance with www.hse.gov.uk/coshh/table1.pdf

OPTIONAL HOUSINGS

EE-HSGDUCT



EE-HSGIP66

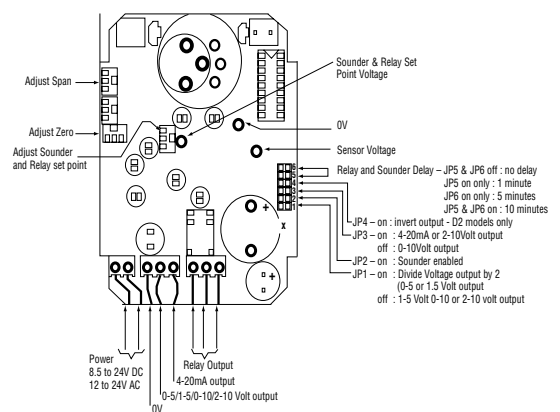


EE-HSGEx



WIRING

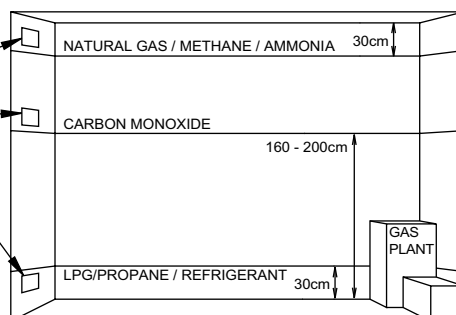
Electrochemical Sensor



Use 2 cores of a 4 core 7/0.2mm sq cable

INSTALLATION

The unit should be positioned at high/mid/low level depending on the density of the gas being detected.



OPERATION

See the detailed instructions in the Product Data sheets supplied with the product.

MAINTENANCE

Keep the gas sensors energised and after installation or a period of non use energise the sensor for at least 15mins to allow it to stabilise.

Test annually or in accordance with the local regulations as detailed in the Product Data sheet.

Do not store or install in dusty dirty environments or areas of high solvent concentration.