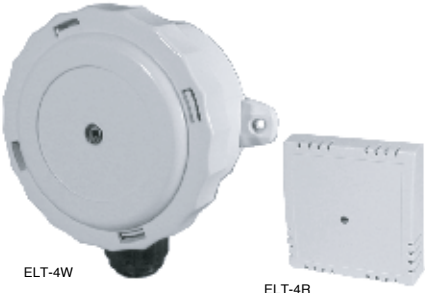


**LIGHT LEVEL TRANSMITTERS  
0-10VDC**

ELT..

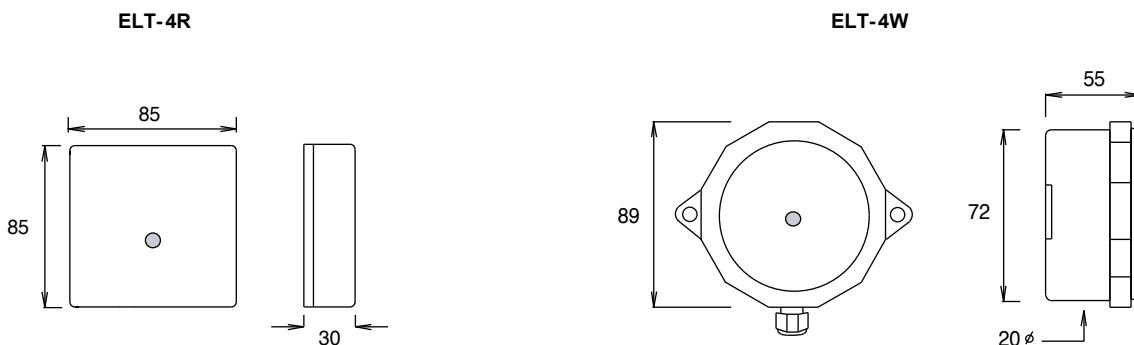
<p>■ Senses light level and transmits a 0-10VDC signal linear across the selected range. Suitable for use with Building Management Systems.</p>	 <p>ELT-4W                      ELT-4R</p>	<p>Room sensor can be mounted on round or square outlet box. Consumption &lt; 30mA Load Resistance &gt;10KΩ Accuracy ± 3% Enclosure Flammability: <b>ELT-4R = UL94-HB</b> <b>ELT-4W = UL94-V0</b></p>
---	--	---

Type	Selectable Range Lux	Supply ± 10%	Output Signal	Vision Angle	Mounting	Enclosure
<b>ELT-4R</b>	10/2000, 10/4000, 10/10000, 10/20000	24 VAC/DC	0-10VDC	120°	Room	IP30
<b>ELT-4W</b>	10/2000, 10/4000, 10/10000, 10/20000	24 VAC/DC	0-10VDC	120°	Outside	IP65

**Approx Lux levels :**

Average daylight	2000	Bright Sunlight	20000+
Minimum for Outdoor Areas	25	External walkways/Car Parks	50
Internal Warehouse Areas	150	Office/Retail Areas	500
Minimum task lighting	200	Precision Tasks ie assembly, machine operation	1500
Dusk	15 to 20		

**DIMENSIONS:**



**WIRING:**

ELT..



**INSTALLATION:**

Terminals 0.5 -2.5mm                      Min sensor / control signal cable size 7/0.2mm                      Max length 100m

Screened cable is recommended                      The screen should be earthed at controller end only

Keep sensor/control signal wires away from power cables/units which may cause interference.