

B.M.S INPUT - OUTPUT MODULES E-P & I-P CONVERTER

E3006

- This product can be used to convert a 0-10vdc or 4-20mA input signal to a 3-15 psig pneumatic output. All pressure & signals are linear across the range.

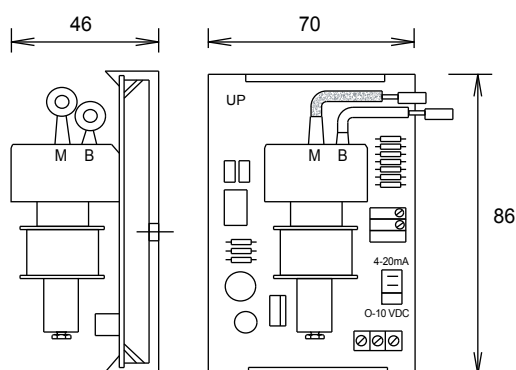


Air supply 1.4Bar Max 2 Bar
Output capacity 140ml/s
Consumption 5.66ml/s at 1.4Bar
Accuracy 1%
Power consumption 1VA at 24VAC
40mA at 24VDC
Flammability = UL94-V0

Type	Supply ± 10%	Selectable Input Signal	Load	Output	Ambient Temp °C	Pressure Connections	Enclosure
E3006	24VAC/DC	0-10 VDC 4-20 mA Loop	>100 KΩ < 550 Ω	3-15 PSIG	0-60	5mm Push-On	IP00

DIMENSIONS:

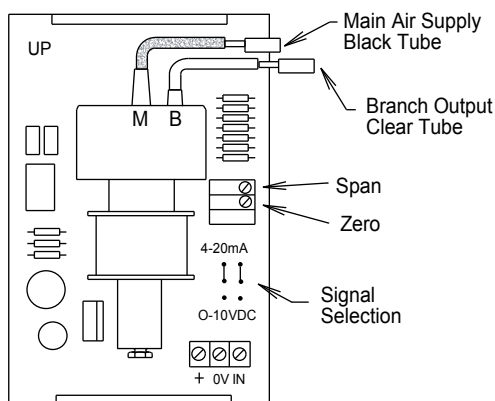
E3006



Mount the base on a vertical surface.

WIRING:

E3006



INSTALLATION:

Connect the main air supply to the black tube - Port 'M'. Connect the clear tube - Port 'B' to the controlled device ie. the actuator. For contaminated air supplies external filters are recommended. The unit must be mounted vertically.

Terminals 0.5-2.5mm²

Min sensor / control signal cable size 7/0.2mm

Max length 100m

Screened cable is recommended

Keep sensor/control signal wires away from power cables/units which may cause interference.