

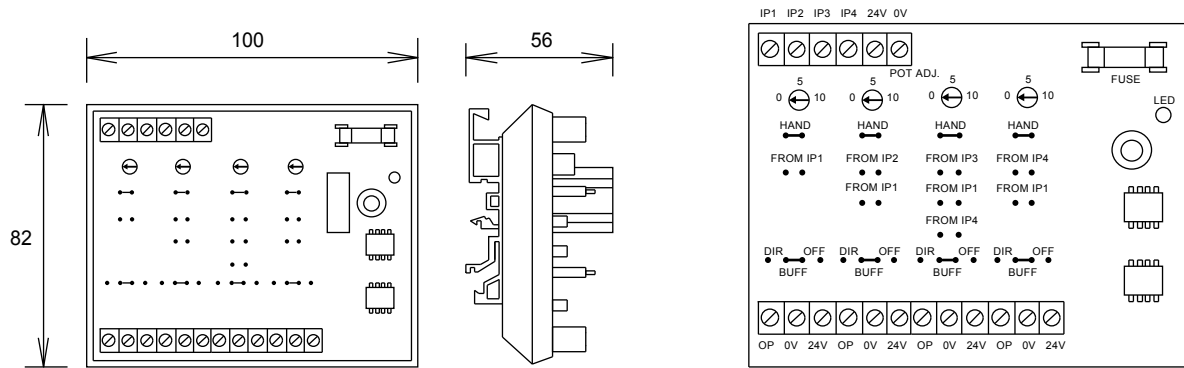
**B.M.S INPUT - OUTPUT MODULES
ANALOGUE BUFFER MODULE 0-10VDC**

ABM4

<p>This unit can be used to generate / reroute up to four 0-10vdc signals:</p> <p>Applications include - Manual adjustment of the 0-10vdc signal potentiometer can be used to position actuators etc, providing commissioning test signals, buffering one signal to drive several actuators or buffering four signals to drive four actuators - each of which draws a high input signal current.</p>	 <p>ABM4</p>	<p>Direct / Buffer / Off Link Selectable Hand / Auto Link Selectable LED Power Indicator Output Signal Current: 20mA per channel Output Power Current: 6A Operating Current: 260mA AC 115mA DC Input Time Constant: 1ms Manual Output Adjustment Output Voltage Test Points Terminals: Rising Clamps 0.5-2.5mm²</p>
--	--	--

Type	Supply ±10%	Input	Output Direct or Buffered	Ambient Humidity	Ambient Temp °C	Mounting	Protection
ABM4	24VAC/DC	0 - 10 vdc	0 - 10 vdc	0 to 90% non-condensing	0-50	Din Rail	4P00

DIMENSIONS:



INSTALLATION:

Selecting Inputs -

- Each output separate Output 1 linked to input 1
 Output 2 linked to input 2
 Output 3 linked to input 3
 Output 4 linked to input 4
- Two linked, two separate Output 1 linked to input 1
 Output 2 linked to input 1
 Output 3 linked to input 3
 Output 4 linked to input 4
- Two sets of two linked Output 1 linked to input 1
 Output 2 linked to input 1
 Output 3 linked to input 4
 Output 4 linked to input 4
- Three linked, one separate Output 1 linked to input 1
 Output 2 linked to input 1
 Output 3 linked to input 1
 Output 4 linked to input 4
- All linked Output 1 linked to input 1
 Output 2 linked to input 1
 Output 3 linked to input 1
 Output 4 linked to input 1

Buffering Outputs -

- When an output is set to BUFFER the signal is buffered to 20mA in both HAND and AUTO modes.
- When an output is set to DIRECT, the signal is only powered from the pot in HAND mode or the input in AUTO mode.
- When the output is set to OFF, the output signal is open circuit.

Hand Mode -

When an input link is set to HAND, the output signal can be set by adjusting the associated pot.

NOTE -

All the 0v terminals are common. There must be only one link used per channel.

Min sensor / control signal cable size 7/0.2mm
The screen must be earthed at controller end only

Max length 100m. Screened cable is recommended.
Keep sensor/control signal wires away from power cables/units which may cause interference.

EXAMPLES :

