

B.M.S INPUT-OUTPUT MODULES
0-10VDC IN 0-135Ω / 0-1000Ω OUT

DRN3.1..

These products accept a 0-10VDC input and convert it into a proportional 0-135Ω or 0-1000Ω resistance output.

For use in electrical actuator control, electronic potentiometer, resistive sensor simulation.



DRN3.1..

Electrically Isolated Resistive Output

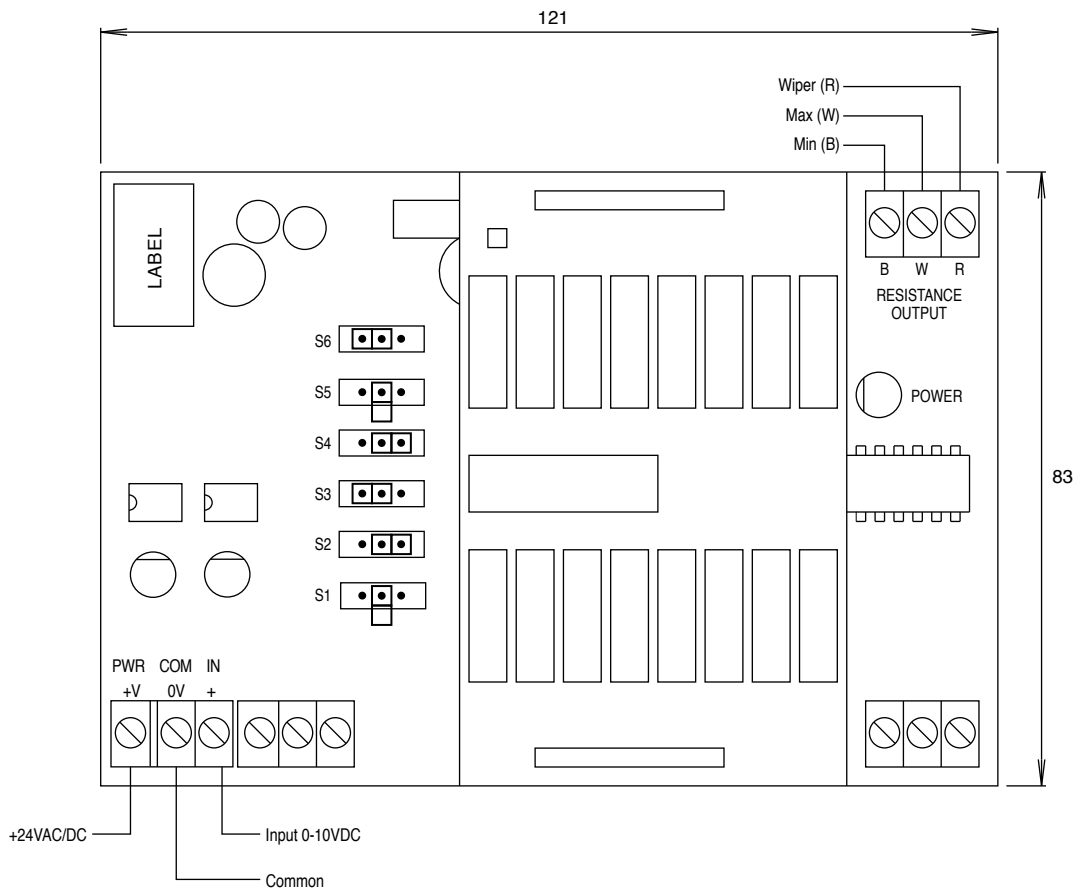
Power and signal Status Indicator

Input Impedance: 0-10VDC 10KΩ
 4-20mA 250Ω

Type	Supply ±10%	Input	Output	Output Resolution	Consumption	Protection
DRN3.1.1	24VAC/DC	0-10VDC	0-135Ω	256 steps	250mA	IP00
DRN3.1.2	24VAC/DC	0-10VDC	0-1000Ω	256 steps	250mA	IP00

WIRING:

DRN3.1..



The jumper settings for S1- S6 are as shown above.

The resistance between terminals B and R will increase as the input signal increases and the resistance between W and R will decrease.

INSTALLATION:

Terminals 0.5 - 2.5mm Sensor cable size 7/0.2mm Keep away from power cables/units which may cause interference.
 Max length 100m. Screened cable is recommended. The screen should be earthed at the controller 0V terminal only.