

B.M.S INPUT OUTPUT MODULES 2 STAGE RELAY, RAISE - LOWER, HIGH LOW 0-10VDC

E2RM..

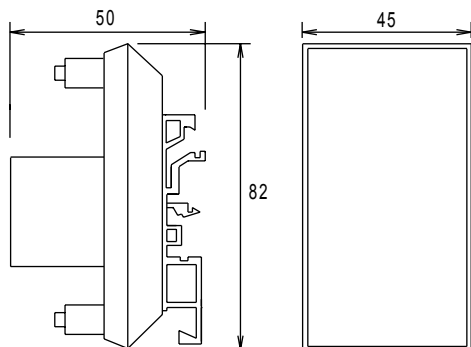
These products accept a 0-10vdc input and produce a 2 stage relay output which can be used for external plant switching. HIGH-LOW or RAISE-LOWER functions can be selected. For multi-stage heating & cooling, two of these units or other relay modules can be used with an ETC.. E13.. temperature controller or similar.



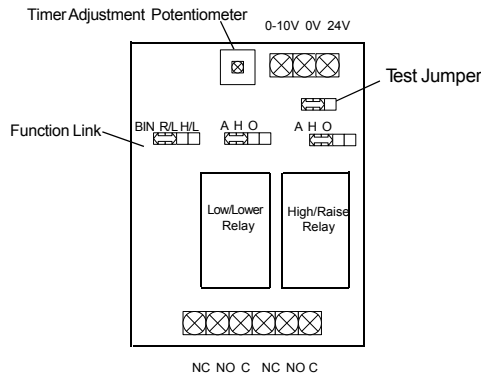
Select HIGH-LOW or RAISE-LOWER functions via link.
ON-OFF-AUTO link provided on each relay to aid commissioning.
LED's indicate relay status.
Volt free contacts
Din-Rail mounting
Input current > 0.5 mA
Flammability = UL94-V0
Max Ambient -10 /+50°C

Type	Supply ±15%	Input Signal	Power Consumption	Switch Rating 230VAC SPDT	Compatibility	Enclosure
E2RM	24VAC/DC	0-10vdc	40mA	2 x 10(3)A	Most B.M.S. Controllers	IP00

DIMENSIONS:



Wiring



INSTALLATION:

HIGH-LOW Mode - Relays switch in sequence.

High/Low	LOW	HIGH
0v	OFF	OFF
5v	ON	OFF
10v	ON	ON

RAISE-LOWER Mode - Relays switch as shown in the table below.

Raise/Lower	LOWER	RAISE
0v	OFF	OFF
4v	ON	OFF
7v	OFF	OFF
10v	OFF	ON

All values are maximum switching points. Exact switching points may be slightly lower than those stated

Terminals 0.5-2.5mm² rising clamps
Screened cable is recommended
Keep sensor/control signal wires away from power cables/units which may cause interference.

Min sensor / control signal cable size 7/0.2mm
The screen should be earthed at controller end only

Max length 100m