

**OUTSIDE FROST THERMOSTATS**

**EOF..**

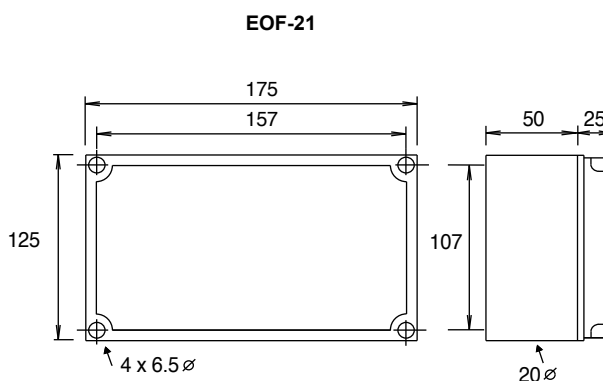
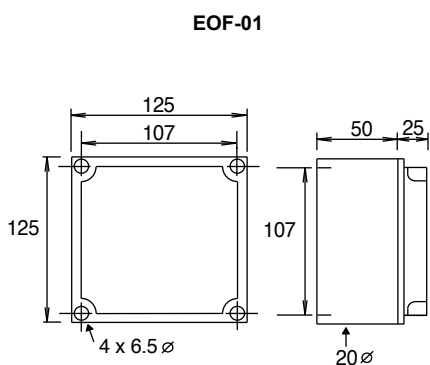
EOF thermostats are used to monitor temperature outside buildings and switch heating/cooling or other units in the event of high/low temperatures. The EOF-01 is a single function unit and the EOF-21 is a dual function unit which has 2 separate thermostats inside one enclosure.



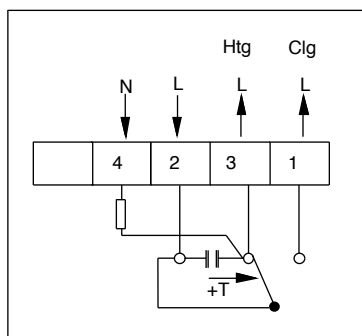
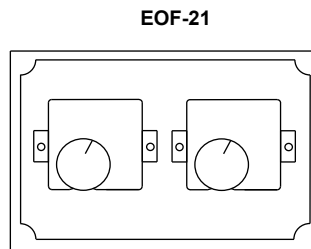
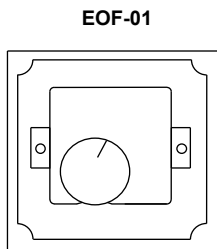
Adjustment under the cover on all models  
 Enclosure Flammability = UL94-V2  
 EOF-01 is single function  
 EOF-21 is dual function (2 thermostats inside one enclosure)

Type	Range °C	Diff. °C	230VAC SPDT	Sensing Element	Max. Ambient °C	Enclosure
<b>EOF-01</b>	-20/+30	1	10(3)A	Bimetal	60	IP65
<b>EOF-21</b>	-20/+30 & -20/+30	1	2x10(3)A	Bimetal	60	IP65

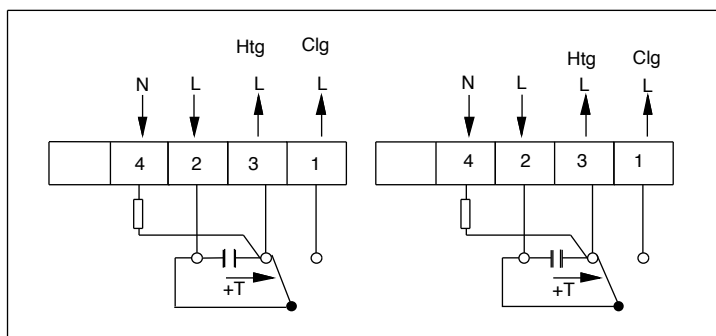
**DIMENSIONS:**



**WIRING:**



On temperature rise 2-1 close  
 On temperature fall 2-3 close



On temperature rise 2-1 close  
 On temperature fall 2-3 close

**INSTALLATION:**

Outside Thermostats & Sensors which are used for frost protection should be mounted on the North side of the building. If this is not possible, shield the sensor from direct sunlight.