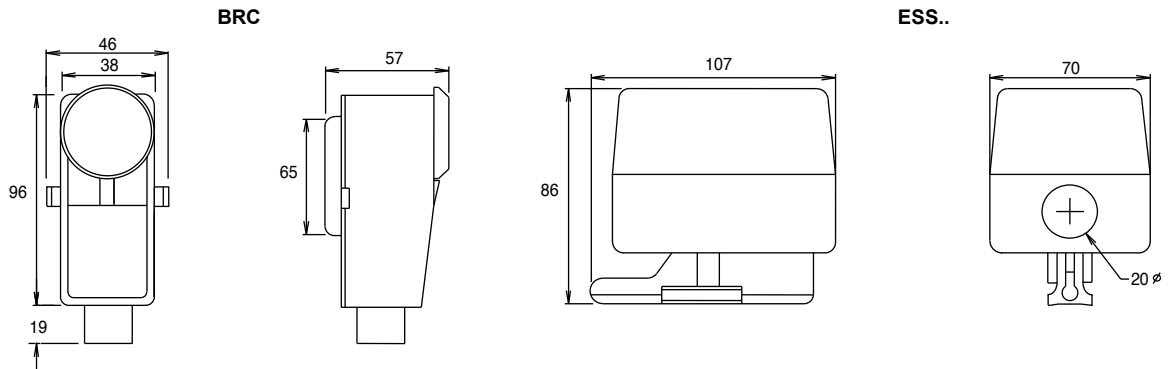


BRC.. ESS..

<p>These products can be used to monitor the temperature of liquids in pipes and cylinders.</p>	 <p>BRC..</p>  <p>ESS..</p>	<p>Volt free contacts                  ESS.. Adjustment under the cover                  Terminals 0.5-2.5mm                  Enclosure Flammability: BRC=UL94-HB                  ESS=UL94-V0</p>
---	--	--

Type	Range °C	Diff. °C	230VAC SPDT	Max. Bulb Temp. °C	Enclosure
<b>BRC</b>	20/90	5	15(3)A	120	IP30
<b>ESS-1</b>	-25/+45	2	10(3)A	70	IP43
<b>ESS-2</b>	0/70	2	10(3)A	90	IP43
<b>ESS-32</b>	35/95	4	15(5)A	115	IP43
<b>ESS-3</b>	50/130	6	15(5)A	130	IP43
<b>ESS-42</b>	30/65	Hand reset open high	15(5)A	90	IP43
<b>ESS-4</b>	60/95	Hand reset open high	15(5)A	115	IP43

DIMENSIONS:



ACCESSORIES:

FIXING STRAP FOR BRC



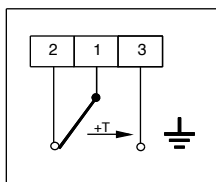
FIXING STRAP FOR ESS



FIXING STRAP ADJUSTABLE UP TO 150MM DIA. IS INCLUDED.  
 LONGER FIXING STRAPS ARE AVAILABLE ON REQUEST.

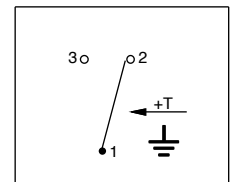
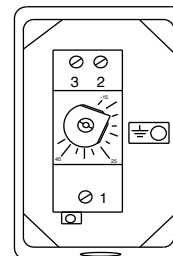
WIRING:

BRC



Contacts 1-3 close on temperature rise.  
 Contacts 1-2 close on temperature fall.

ESS..



Contacts 1-3 close on temperature rise.  
 Contacts 1-2 close on temperature fall.

Open high = Contact 1-2 opens on temperature rise. Temp must fall to allow resetting.

**INSTALLATION:** Fix the thermostat securely to the pipe. The ambient temperature around the sensor can affect the switching point.